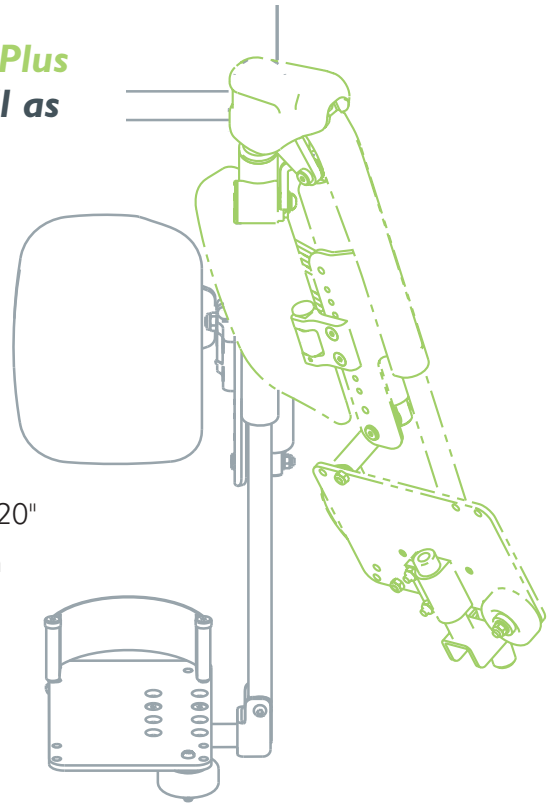


## Put your Best Foot Forward ...

The all **NEW Maxx Style Swing Away Elevating Pivot Plus Legrests** offer a cleaner, more streamlined look as well as unsurpassed functionality and support.

- New, streamlined legrests offer a more compact and less intrusive design while accommodating synchronized or individual leg elevation
- Available as Power or Manual option
- Newly designed mounts offer 1.5" of adjustability to aid in even pressure distribution and maintain consistent posture
- New, quieter actuator makes elevation less conspicuous
- Simple, Knee-to-Heel adjustments accommodate leg lengths from 10" to 20"
- Legrests easily swing away for forward transfers and can be removed from any position; push button-release allows the calf pads to swing away for clearance during transfers
- Calf pads and footplates are adjustable for ultimate client comfort
- Multi-Axis Adjustable Angle Foot Plates come with rollers to prevent damage to walls, door jambs and furniture
- Available with straight and offset receivers, to accommodate different client needs and maintain a small wheelchair footprint



Power Option



Manual Option

